



# Bridging the Gap between Real World and Computer

## Mokon Servo Driver



### Features

- ▶ Embedded floating point DSP
- ▶ High bandwidth and high response
- ▶ Easy servo parameters setting via RS-232 communication with Mokon PC software
- ▶ Three section position-commanded electronic gear from I/O signal
- ▶ On the fly change of speed and position mode
- ▶ Multi-purpose type command input to support most of motion control applications.

### Specifications

- ▶ System Overload capacity : 150% 1min
- ▶ Discharge Transistor : integrated
- ▶ Protective Function : Over Current, Over Voltage, Low Voltage, Over Load, Over Temperature, Encoder Error, Over Speed
- ▶ Feedback Output : 1024P/R, 2048P/R, 2500P/R, 5000P/R
- ▶ Heat-Dissipation Method : Natural ventilation

#### Speed Control:

- ▶ Control Method : Sine PWM Current Control
- ▶ Control Ratio : 3000:1
- ▶ Speed Command : 0~10V/0~Rated Speed
- ▶ Speed Variability Ratio : Load Variable 0~100% / Rated Speed  $\pm 0.1\%$
- ▶ Acceleration and Deceleration Method : S type or Linear type profile
- ▶ Torque Limit : 0~10V/0~Max Torque

#### Position Control:

- ▶ Position command : A/B, CW/CCW, PULSE/DIR
- ▶ Position command Output bandwidth : Differential type : 500K Transistor type : 200K
- ▶ Position Command Resolution : 4x Installed encoder resolution
- ▶ In-Position setting range : 0 ~  $\pm 10000$  pulse
- ▶ Electronic Gear Ratio : A/B times A=32767 B=32767 1/50<A/B<50
- ▶ Torque Limit : 0~10V/0~Max Torque

#### Torque Control:

- ▶ Torque command : 0~10V/3x Rated Torque
- ▶ Speed Limit : Internal Torque Speed limited or limit from External Analog Speed Limit Command

#### Environment:

- ▶ Storage Temperature : -20 °C ~ 65 °C
- ▶ Operation Temperature : 0 °C ~ 40 °C
- ▶ Humidity : Humidity below 90% RH, non-condensing
- ▶ Altitude : Sea Level below 1000M
- ▶ Vibration : Below < 5m/s

Model Number	Rated Current	Matched Motor	Input Power	
YPVB-040	1.85A	YBL6S-148	AC 185 ~230V 3 phase 50/60Hz	
		YBL7S-76		
		YBL7S-92		
YPVB-075	3.47A	YBL9S-130		
YPVB-100	5.4A	YBL9S-160		
		YBL13S-75		
YPVB-150	7.2A	YBL13S-95		
YPVB-200	11A	YBL13S-115		
YPVB-300	16A	YBL13S-155		
		YBL17B-100Z		
YPVB-450	24A	YBL17B-200Z		
YPVB-600	32A	YBL17B-300Z		
YPVB-750	39A	YBL17B-300T		
YPVB-860	45A	YBL17B-400		
YPVB-1100	58A	YBL17B-500		
		YBL210-400		
YPVB-1500	79.5A	YBL210-600		
YPVB-2200	60A	YIPM160-540		
YPVB-H100	3.2A	YBL13S-75H		AC 380 ~480V 3 phase 50/60Hz
YPVB-H150	4.3A	YBL13S-95H		
YPVB-H200	6.5A	YBL13S-115H		
YPVB-H300	9.5A	YBL13S-155H		
		YBL17B-100H		
YPVB-H450	15A	YBL17B-200H		
YPVB-H600	19A	YBL17B-300H		
YPVB-H750	24A	YBL17B-300TH		
YPVB-H860	27A	YBL17B-400H		
YPVB-H1100	35A	YBL210-400H		
YPVB-H1500	48A	YBL210-600H		
YPVB-H2200	60A	YBL160L-600H		
RS232 to USB(RS232)		Tuning cable)		

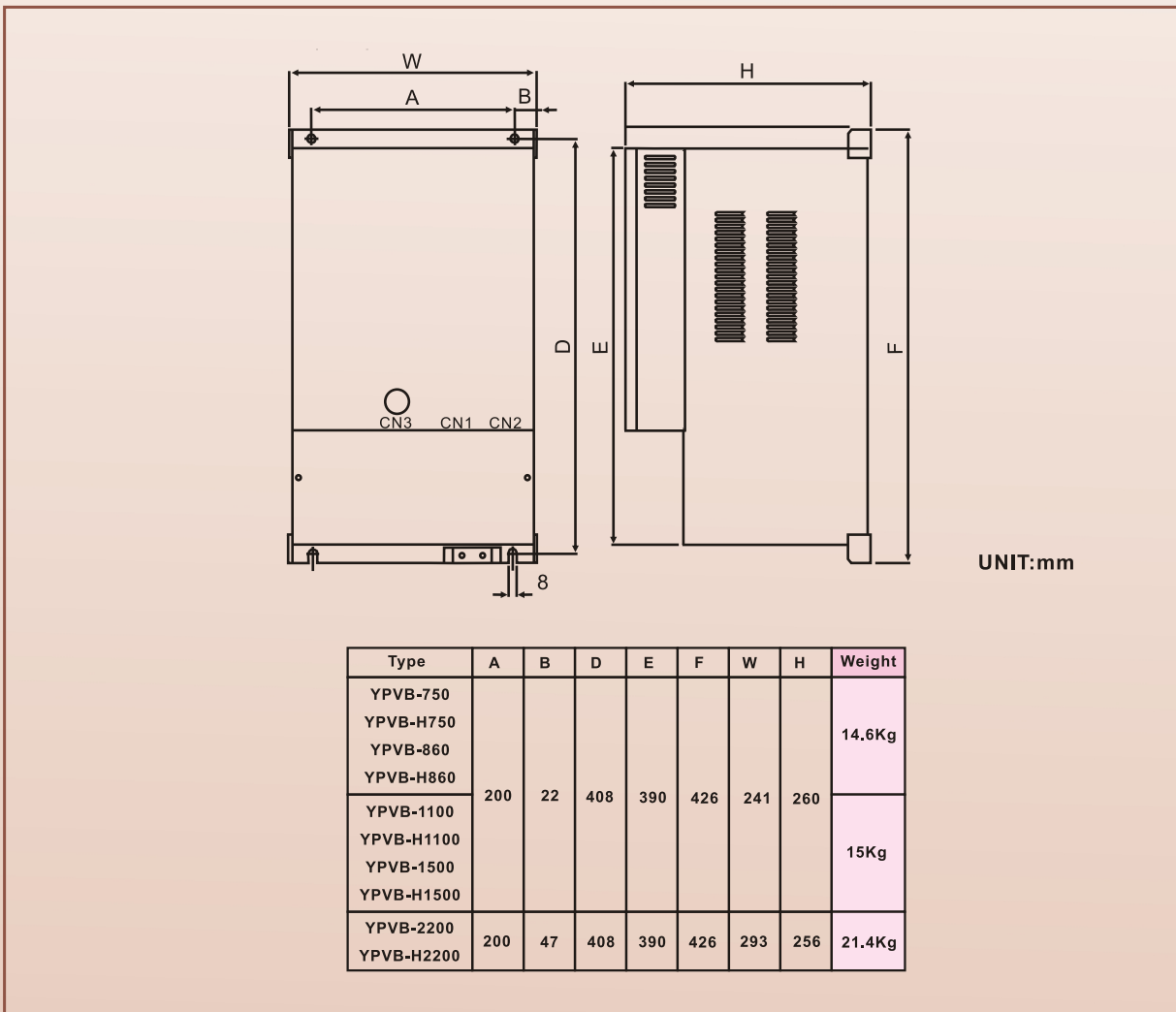
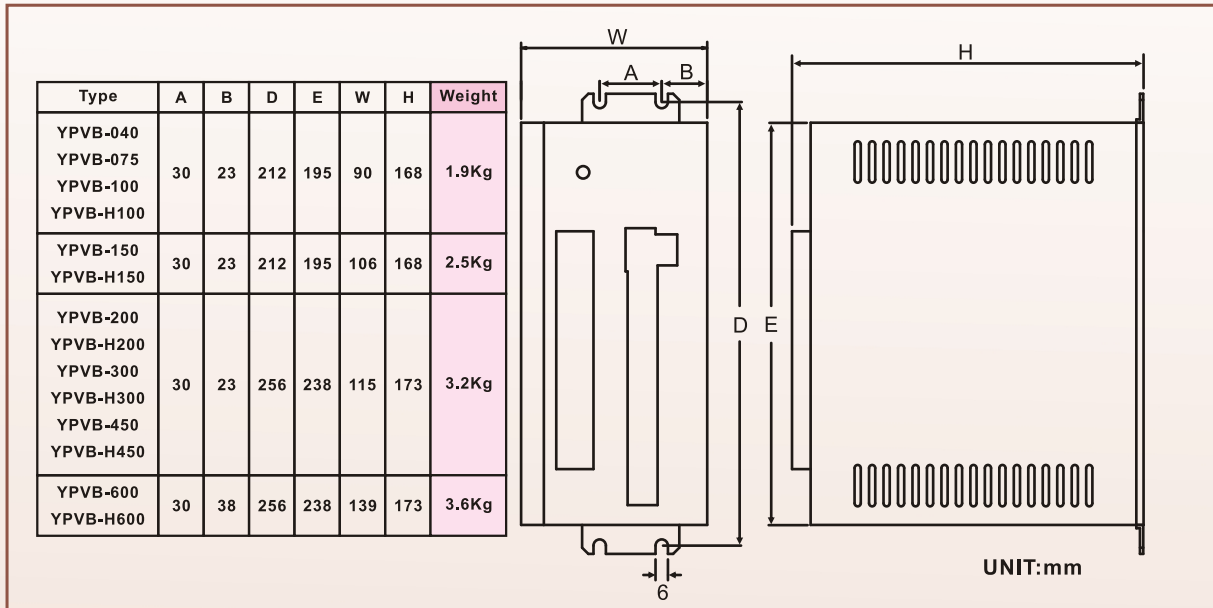
### Application for Market

- ▶ CNC machine, Print machine, Spring machine, Transportation mechanical, End-Seal machine, Full-Electric plastic injection machine, Textile machine, Bag-Making machine, Automation machine, General Products machine.



# Bridging the Gap between Real World and Computer

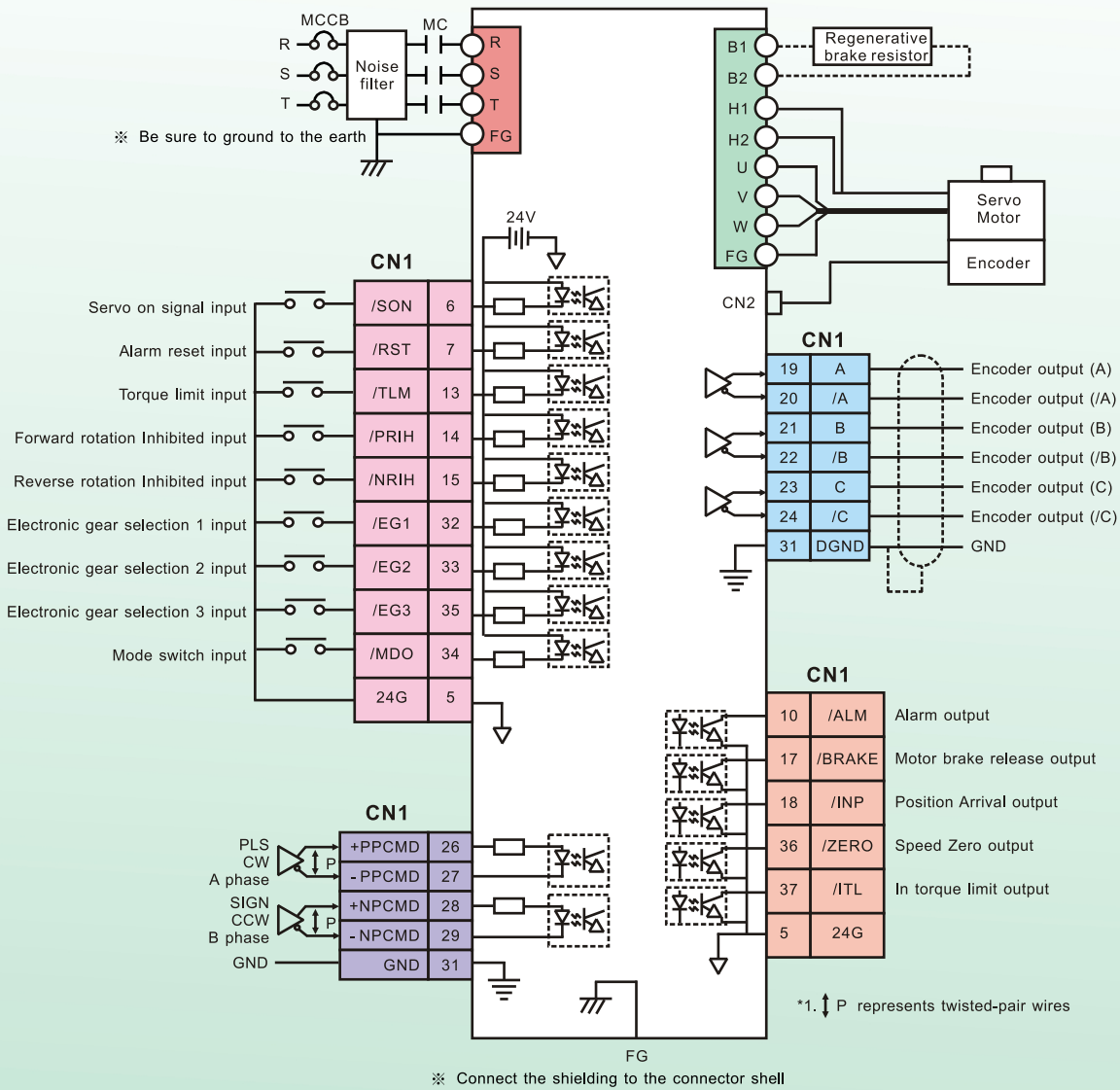
## Dimensions





# Bridging the Gap between Real World and Computer

## Control Interface



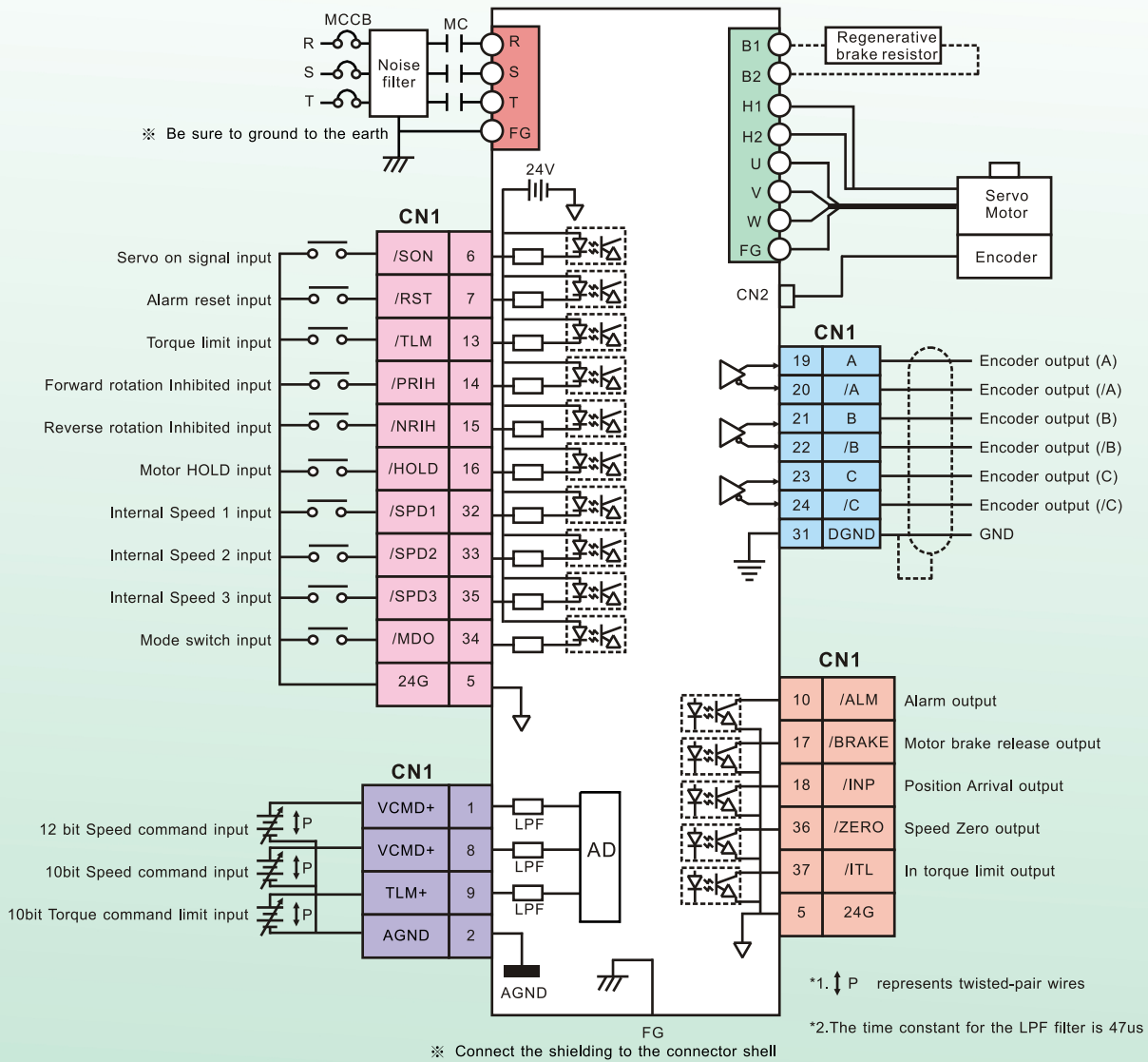
**Position Mode**

### Note



# Bridging the Gap between Real World and Computer

## Control Interface



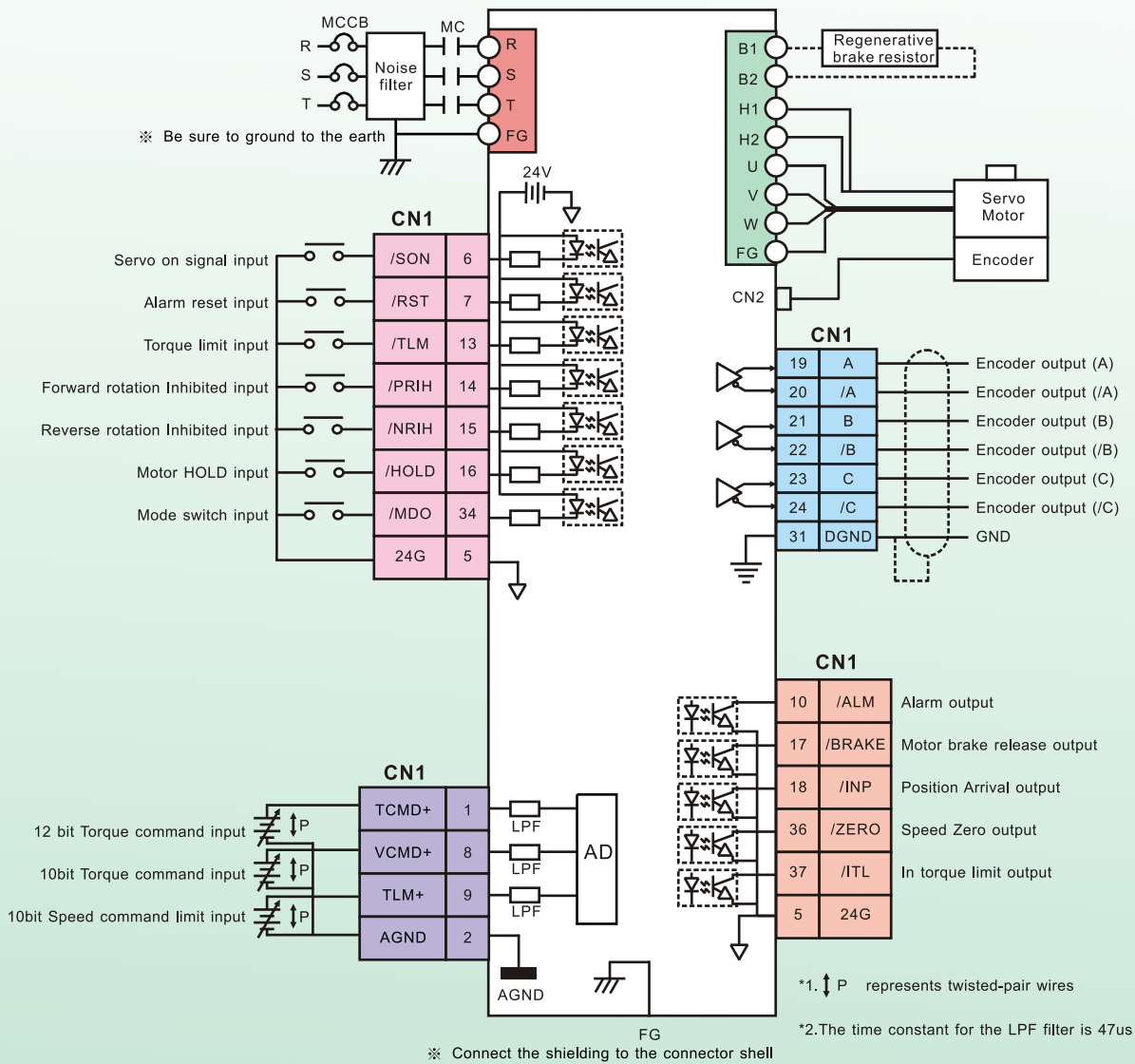
## Note





# Bridging the Gap between Real World and Computer

## Control Interface



Torque Mode

## Note